

CI80F product information sheet



A global manufacturer of A/V mounts for residential and commercial applications, OmniMount has set industry standards for over 35 years with groundbreaking design and engineering, superior quality and long-term reliability. A quick installation and locking bar make the CI80F great for residential or commercial applications.

Product Benefits

- Low profile offers sufficient room for cable connections and cooling while keeping TV close to the wall
- Lift n' Lock™ feature makes single-person installation possible
- Open frame provides ample room for power and A/V cutouts behind TV
- Vertical rails fit VESA and non-VESA TVs
- Vertical rails slide on wall plate for minor left/right repositioning
- Locking bar secures TV to mount
- Includes complete hardware kit

Product Specifications

Fits most: 23–42" TVs

Supports up to: 80 lbs (36.3 kg)

Mounting profile: 1.6" (4.1 cm)

Universal & VESA compliant:

100x100 to 400x300

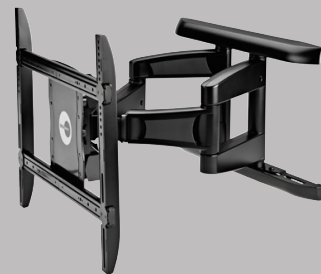
Mounting: Double-stud or solid wall

Warranty: 5 years

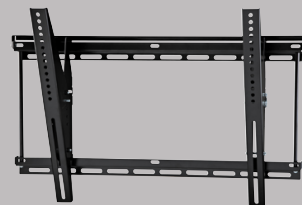
Color: Black



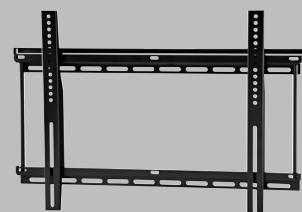
Series



Full Motion Mount



Tilt Mounts



Fixed Mounts



Keeping ease of installation in mind, the CI80F was designed to be installed in a few simple steps

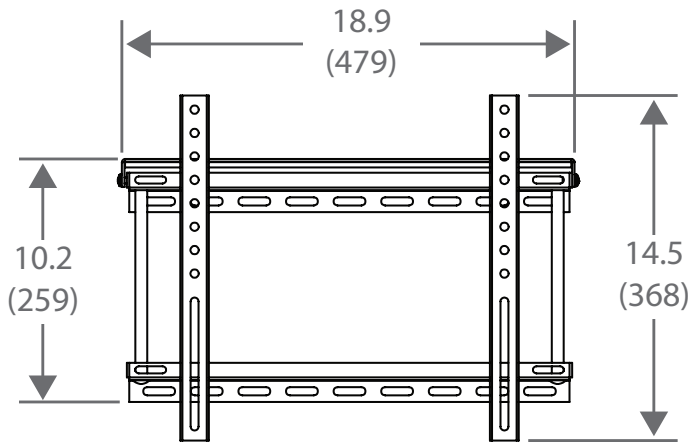
800.MOUNT.IT (800.668.6848)



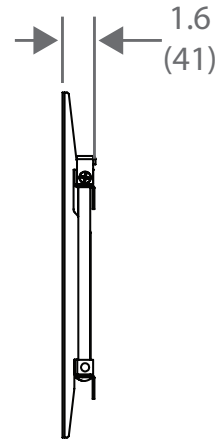
OMNI MOUNT

03272014

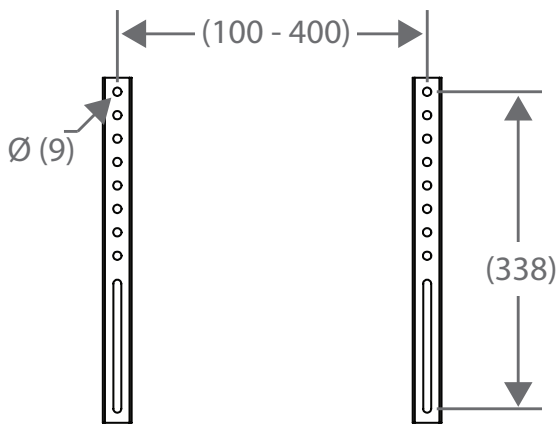
CI80F technical data sheet



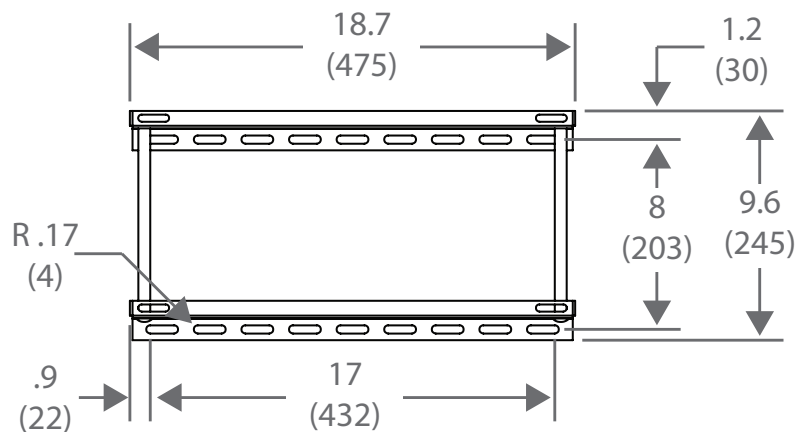
FRONT VIEW



MOUNTING PROFILE



PANEL ATTACHMENT - VESA COMPATABILITY (mm)



WALL MOUNTING



inches (mm)

	Packaging UPC	MC UPC
Americas	698833042627	10698833042624
International	NA	NA

	Dimensions WxDxH inches (mm)	Wt lbs (kg)	Qty
Box	21 x 13.1 x 2.6 (534x287x67)	5.2 (2,5)	NA
MC	22.4 x 12.2 x 6.4 (568x311x163)	12.4 (5,6)	2

Box Contents	Qty
Wall plate	1
Vertical rail	2
Locking bar	1
Complete mount installation hardware kit	1

Box Contents	Qty
Complete TV attachment hardware kit	1
Instruction manual	1
TV compatibility chart	1