



Introduction

The Atlona **AT-OME-TX21-WP-E** is a 2×1 switcher and HDBaseT transmitter with HDMI and USB-C inputs. It is designed for commercial installations in Europe. The OME-TX21-WP-E includes interchangeable EU and UK faceplates and brackets. The USB-C input is ideal for AV interfacing with Mac®, Chromebook™, and Windows® PCs, as well as smartphones and tablets. Video signals up to 4K/UHD @ 60 Hz with 4:2:0 chroma subsampling, plus embedded audio and control can be transmitted up to 330 feet (100 meters). The OME-TX21-WP-E is HDCP 2.2 compliant. It is designed for use with Omega™ Series receivers and switchers, select HDVS Series receivers, the AT-UHD-EX-100CE-RX-PSE receiver, and other Atlona switchers with HDBaseT inputs. This transmitter can serve as an integral component of a fully automated AV system, with the convenience of automatic input selection and display control. It is remotely powered by Atlona HDBaseT-equipped devices through Power over Ethernet (PoE).

Applications

- **Complete system integration**
The OME-TX21-WP-E and a compatible HDBaseT receiver provide a compact, yet comprehensive and cost-effective integration solution.
- **Larger system applications**
The OME-TX21-WP-E is ideal for extending AV connectivity from a central equipment rack to lecterns as well as remote wall and floor box locations, where presenters can easily access the system.

Key Features

Two-gang enclosure for EU and UK wallplate openings – interchangeable EU and UK trim kits

- Allows inconspicuous installation on a wall, in furniture, or in a floor box.
- Meets end user requirements for conveniently accessible yet discreet AV connectivity.

2x1 HDBaseT switcher with HDMI and USB-C* inputs

- Immediate compatibility with laptops and tablets with USB-C ports supporting AV.
- No need to provide USB-C to HDMI adapters.

HDBaseT transmitter for AV, power, and control up to 330 feet (100 meters)

- Uses easy-to-integrate category cable for low-cost, reliable system installation.
- Can easily be mixed and matched with Atlona power sourcing (PSE) receivers and switchers depending on system design requirements.

HDCP 2.2 compliant

- Adheres to latest specification for High-bandwidth Digital Content Protection.
- Allows protected content stream to pass between authenticated devices.

Remotely powered via PoE (Power over Ethernet)

- Power for transmitter is supplied by Atlona receiver or switcher over HDBaseT.
- Saves time and integration costs.

Automatic input selection and automatic display control

- Automatically changes display power state, and switches between inputs based on device connection or disconnection (hot-plug detection) from the switcher. Also can be configured to power off display after a period of inactivity.
- Enables effortless, automated system operation without the need for an external control system.

TCP/IP and RS-232 control of switcher

- Flexible control options for compatibility with Velocity™ and third-party control systems. TCP/IP control available through a compatible receiver or HDBaseT-equipped switcher.
- Reduces integration time and costs.

Award-winning 10 year limited product warranty

- Ensures long-term product reliability and performance in residential and commercial systems.
- Specify, purchase, and install with confidence.

* USB-C port does not support USB data or device powering.

Specifications

Connectors, Controls, and Indicators	
HDMI	1 - Type A, 19-pin female, locking
USB-C*	1 - USB Type-C, 24-pin, female
RS-232	1 - 3-pin captive screw
HDBaseT OUT	1 - RJ45
INPUT	1 - Push button, tact-type
RESET	1 - momentary, tact-type
IP	1 - momentary, tact-type
TEST (future use)	1 - momentary, tact-type
HDMI	1 - LED, green
USB-C	1 - LED, green
PWR	1 - LED, green
LINK	1 - LED, green
AUTO	1 - LED, green

Video	
UHD/HD/SD	4096×2160@24/25/30/50*/60Hz*, 3840×2160@24/25/30/50*/60Hz*, 2048×1080p, 1080p@23.98/24/25/29.97/30/50/59.94/60Hz, 1080i@50/59.94/60Hz, 720p@50/59.94/60Hz, 576p, 576i, 480p, 480i
VESA	2560×2048, 2560×1600, 2048×1536, 1920×1200, 1680×1050, 1600×1200, 1600×900, 1440×900, 1400×1050, 1366×768, 1360×768, 1280×1024, 1280×800, 1280×768, 1152×768, 1024×768, 800×600, 640×480
Color Space	YUV, RGB
Chroma Subsampling	4:4:4, 4:2:2, 4:2:0
Color Depth	8-bit, 10-bit, 12-bit

Audio	
HDMI IN / HDBaseT OUT	PCM 2Ch, LPCM 5.1, LPCM 7.1, Dolby® Digital, DTS® 5.1, Dolby Digital Plus, Dolby TrueHD, DTS-HD Master Audio™
Sample Rate	32 kHz, 44.1 kHz, 48 kHz, 88.2 kHz, 96 kHz, 176.4 kHz, 192 kHz
Bit Rate	24-bit (max.)

Resolution / Distance	4K/UHD - Feet / Meters		1080p - Feet / Meters	
	HDMI IN / OUT	15	5	30
CAT-5e / CAT-6	230	70	330	100
CAT-6a / CAT-7	230	70	330	100

* The USB-C port *does not* support data or charging of external devices.

Signal	
Bandwidth	10.2 Gbps
HDMI	2.0
CEC	Yes
HDCP	2.2

Temperature	Fahrenheit	Celsius
Operating	32 to 122	0 to 50
Storage	-4 to 140	-20 to 60
Humidity (RH)	20% to 90%, non-condensing	

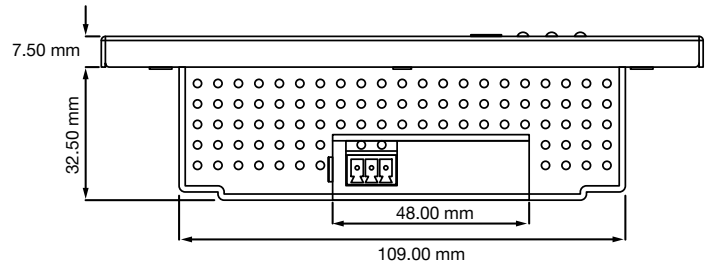
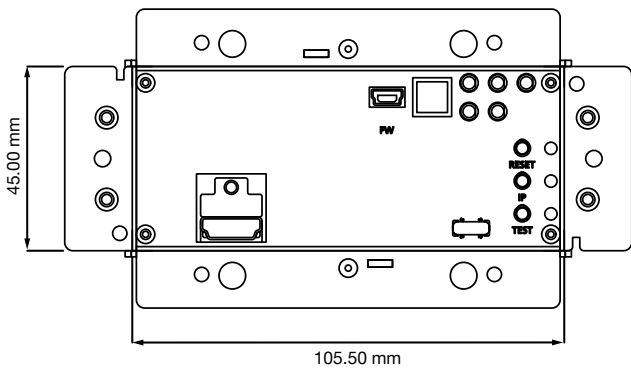
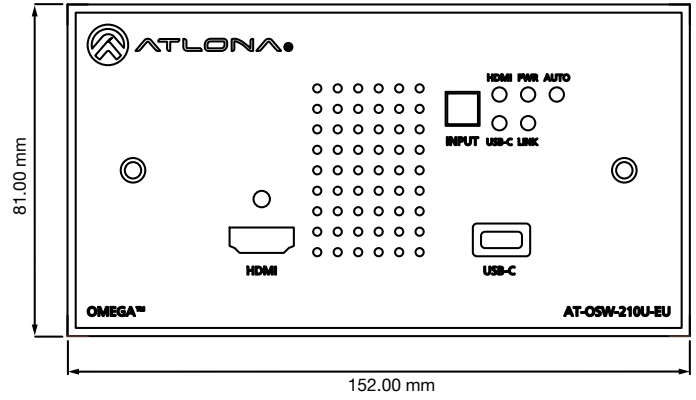
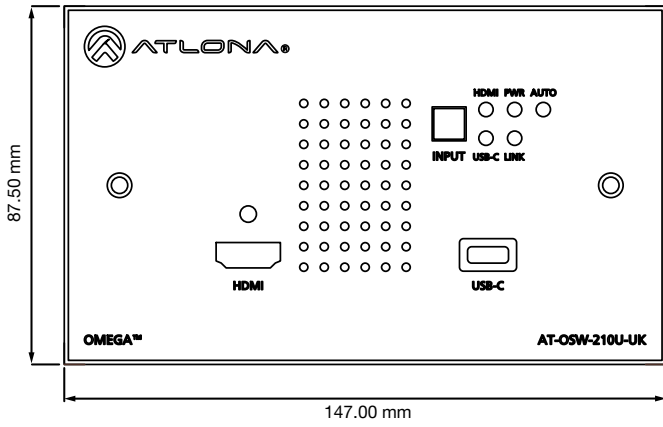
Power	
Consumption	10.2 W

Dimensions	
Wall	Two-gang

Weight	Pounds	Kilograms
Device	0.50 lbs	0.23 kg

Certification	
Unit	CE, FCC

Drawings



Copyright, Trademark, and Registration

© 2021 Atlona Inc. All rights reserved. "Atlona" and the Atlona logo are registered trademarks of Atlona Inc. Pricing, specifications and availability subject to change without notice. Actual products, product images, and online product images may vary from images shown here.



The terms HDMI, HDMI High-Definition Multimedia Interface, and the HDMI Logo are trademarks or registered trademarks of HDMI licensing Administrator, Inc.



Dolby, Dolby Atmos, and the double-D symbol are registered trademarks of Dolby Laboratories Licensing Corporation.



For DTS patents, see <http://patents.dts.com>. Manufactured under license from DTS, Inc. DTS, the Symbol, DTS and the Symbol together, and Digital Surround are registered trademarks and/or trademarks of DTS, Inc. in the United States and/or other countries. © DTS, Inc. All Rights Reserved.

All other trademark(s), copyright(s), and registered technologies mentioned in this document are the properties of their respective owner(s).