

Introduction

The Atlona **AT-HDVS-210H-TX-WP** is a 2x1 switcher and HDBaseT transmitter with two HDMI inputs. It features a US one-gang, Decora-style wallplate form factor, and includes interchangeable black and white wallplates and faceplates. Video signals up to 4K/UHD @ 60 Hz with 4:2:0 chroma subsampling, plus embedded audio and control can be transmitted up to 330 feet (100 meters). The HDVS-210H-TX-WP is HDCP 2.2 compliant. It is designed for use with select HDVS Series receivers and scalars, as well as the AT-UHD-EX-100CE-RX-PSE receiver, and Atlona switchers and matrix switchers with HDBaseT inputs. This transmitter can serve as an integral component of a fully automated AV system, with the convenience of automatic input selection and display control. It is remotely powered by the UHD-EX-100CE-RX-PSE or other Atlona HDBaseT-equipped devices through Power over Ethernet (PoE).

Applications

- **Complete system applications**
The HDVS-210H-TX-WP and a compatible HDBaseT receiver provide a compact, yet comprehensive and cost-effective integration solution.
- **Larger system applications**
The HDVS-210H-TX-WP is ideal for extending AV connectivity from a central equipment rack to lecterns as well as remote wall and floor box locations, where presenters can easily access the system.

Key Features

US one-gang enclosure for Decora-style wallplate openings – interchangeable black or white trim kits

- Allows inconspicuous installation on a wall, in furniture, or in a floor box. Includes black and white wallplates and faceplates.
- Meets end user requirements for conveniently accessible yet discreet AV connectivity.

2x1 HDBaseT switcher with HDMI inputs

- Conveniently accepts two HDMI sources in a single-gang enclosure.
- Minimizes wall or surface space for a discreet installation.

HDCP 2.2 compliant

- Adheres to latest specification for High-bandwidth Digital Content Protection.
- Allows protected content stream to pass between authenticated devices.

HDBaseT transmitter for AV, power, and control up to 330 feet (100 meters)

- Uses easy-to-integrate category cable for low-cost, reliable system installation.
- Can easily be mixed and matched with Atlona power sourcing (PSE) receivers and switchers depending on system design requirements.

4K/UHD capability @ 60 Hz with 4:2:0 chroma subsampling

- Compatible with sources up to 4K/60 4:2:0 and 4K/30 4:4:4.
- Allows 4K/UHD transmission when used with a compatible HDBaseT-equipped display or HDBaseT receiver.

Automatic input selection and automatic display control

- Automatically changes display power state, and switches between inputs based on device connection or disconnection from the switcher. Also can be configured to power off display after a period of inactivity.
- Enables effortless, automated system operation without the need for an external control system.

Remotely powered via PoE (Power over Ethernet)

- Power for transmitter is supplied by Atlona receiver or switcher over HDBaseT.
- Saves time and integration costs.

TCP/IP and RS-232 control of switcher

- Flexible control options for compatibility with third-party control systems. TCP/IP control available through a compatible receiver or HDBaseT-equipped switcher.
- Reduces integration time and costs.

Award-winning 10 year limited product warranty

- Ensures long-term product reliability and performance in residential and commercial systems.
- Specify, purchase, and install with confidence.

Specifications

Video	
UHD/HD/SD	4096×2160@24/25/30/50 ⁽¹⁾ /60Hz ⁽¹⁾ , 3840×2160@24/25/30/50*/60Hz ⁽¹⁾ , 2048×1080p, 1080p@23.98/24/25/29.97/30/50/59.94/60Hz, 1080i@50/59.94/60Hz, 720p@50/59.94/60Hz, 576p, 576i, 480p, 480i
VESA	2560×2048, 2560×1600, 2048×1536, 1920×1200, 1680×1050, 1600×1200, 1600×900, 1440×900, 1400×1050, 1366×768, 1360×768, 1280×1024, 1280×800 1280×768, 1152×768, 1024×768, 800×600, 640×480
Color Space	YUV, RGB
Chroma Subsampling	4:4:4, 4:2:2, 4:2:0
Color Depth	8-bit, 10-bit, 12-bit

Audio	
HDMI IN / HDBaseT Out	PCM 2Ch, LPCM 5.1, LPCM 7.1, Dolby® Digital, DTS® 5.1, Dolby Digital Plus, Dolby TrueHD, DTS-HD Master Audio™
Sample Rate	32kHz, 44.1kHz, 48kHz, 88.2kHz, 96kHz, 176.4kHz, 192kHz
Bit Rate	24-bit (max.)

Resolution / Distance	4K/UHD - Feet / Meters		1080p - Feet / Meters	
HDMI	15	5	30	10
CAT5e / CAT6a	230	70	330	100
CAT6a / CAT7	330	100	330	100

Signal	
Bandwidth	10.2 Gbps
CEC	Yes
HDCP	2.2

Temperature	Fahrenheit	Celsius
Operating	32 to 104	0 to 40
Storage	-4 to 140	-20 to 60
Humidity (RH)	20% to 90%, non-condensing	

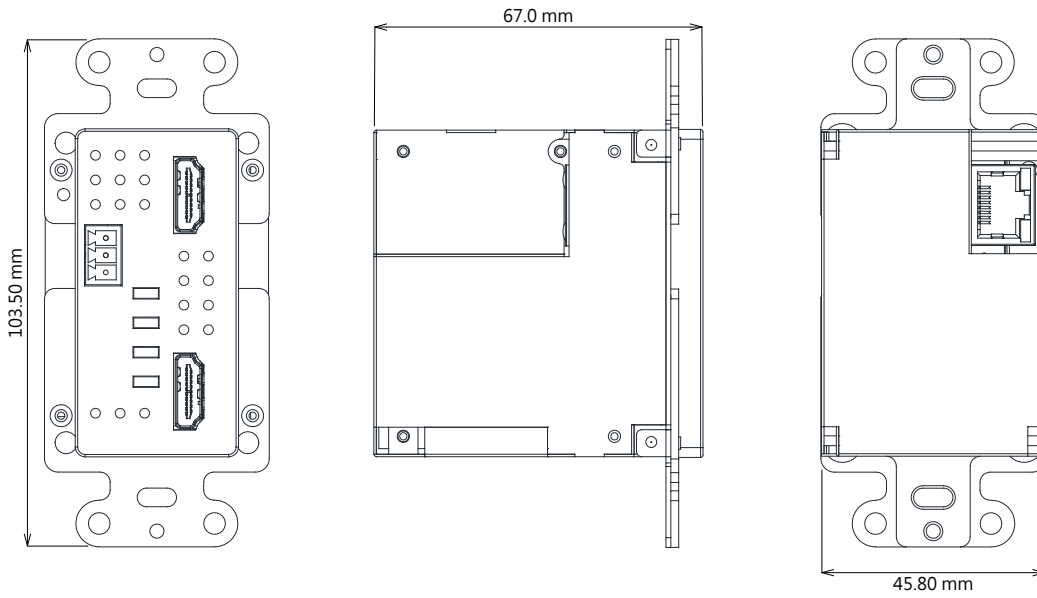
Dimensions	Inches	Millimeters
H x W x D	4.07 in x 1.80 in x 2.63 in	103.50 mm x 45.80 mm x 67.00 mm

Weight	Pounds	Kilograms
Device	0.40	0.18

Certification	
Device	CE, FCC

(1) 4096×2160@50/60Hz & 3840×2160@50/60Hz supported @ chroma subsampling 4:2:0 8-bit only.

Drawings



Copyright, Trademark, and Registration

© 2021 Atlona Inc. All rights reserved. "Atlona" and the Atlona logo are registered trademarks of Atlona Inc. Pricing, specifications and availability subject to change without notice. Actual products, product images, and online product images may vary from images shown here.



The terms HDMI, HDMI High-Definition Multimedia Interface, and the HDMI Logo are trademarks or registered trademarks of HDMI licensing Administrator, Inc.



Dolby, Dolby Atmos, and the double-D symbol are registered trademarks of Dolby Laboratories Licensing Corporation.



For DTS patents, see <http://patents.dts.com>. Manufactured under license from DTS, Inc. DTS, the Symbol, DTS and the Symbol together, and Digital Surround are registered trademarks and/or trademarks of DTS, Inc. in the United States and/or other countries. © DTS, Inc. All Rights Reserved.

All other trademark(s), copyright(s), and registered technologies mentioned in this document are the properties of their respective owner(s).



Introduction

The Atlona **AT-UHD-EX-100CE-RX-PSE** is a 4K/UHD HDMI over 100M HDBaseT receiver for AV signals up to 330 feet (100 meters) over category cable with Ethernet pass-through, RS-232, CEC, and Power over Ethernet. It receives video signals up to 4K/UHD @ 60 Hz with 4:2:0 chroma subsampling, plus embedded multi-channel audio. The AT-UHD-EX-100CE-RX-PSE is HDCP 2.2 compliant and supports EDID communication. It is ideal for use with the AT-UHD-EX-100CE-TX-PD HDBaseT transmitter, or an HDVS-200 Series HDBaseT switcher for extending 4K signals to a display. This receiver features a quarter rack width metal enclosure, with rear panel I/O ports for uncluttered wire management. The AT-UHD-EX-100CE-RX-PSE is externally powered by the included power supply, and provides Power over Ethernet for the AT-UHD-EX-100CE-TX-PD, an HDVS-200 HDBaseT switcher, or other PoE-compatible HDBaseT transmitter.

Applications

- 4K/UHD signal capability is required as part of the system design
- The HDBaseT transmitter will be at a lectern, conference table, or wall location where AC power may be unavailable or expensive to provide

Key Features

4K/UHD capability @ 60 Hz with 4:2:0 chroma subsampling

- Compatible with Ultra High Definition sources and displays.
- Full support of 4K/UHD streaming services and playback devices.

HDCP 2.2 compliant

- Adheres to latest specification for High-bandwidth Digital Content Protection.
- Allows protected content stream to pass between devices.

Supports 4K HDR10 @ 24 Hz

- Extends 4K HDR10 @ 24 Hz (4:2:0 chroma subsampling, 10-bit color).

PoE power source – remotely powers a PoE-compatible transmitter

- IEEE 802.3af PoE Power Sourcing Equipment (PSE).
- Uses external power supply (included) to power a PoE-compatible transmitter over HDBaseT.
- Eliminates the need for the receiver to be powered remotely or by a power-injection device.

AV, Ethernet, power, and control over HDBaseT⁽¹⁾

- Receives 4K/UHD video, embedded audio, 100Base-T Ethernet, power, and control through a single cable.
- Eliminates multiple cable runs between source, control system, router, and display.

Extended distance HDMI extension

- Receives HDMI signals up to 330 feet (100 meters) @ 1080p with CAT5e/6 or 4K/UHD using CAT6a/7 cable.
- Uses easy-to-integrate category cable for low-cost, reliable system installation.

Extends RS-232, CEC, and Ethernet control signals⁽²⁾

- Control signals travel over HDBaseT link to device for maximum control system flexibility.
- Simplifies integration of source, control system, and display.

Rear panel I/O connectors

- Placement of ports on rear panel simplifies wire management.
- Saves installation time and eliminates clutter.

Multi-channel audio compliant

- Supports PCM, Dolby Digital, Dolby Digital Plus™, Dolby TrueHD, Dolby Atmos®, DTS Digital Surround™, DTS-HD Master Audio™, and DTS:X™.
- Allows any multi-channel audio stream to be used within a professional audio system.

Field-updatable firmware

- Front panel USB port provides an easy means for device updates.
- Ensures long-term system return on investment.

Front panel Power and Link status LEDs

- LED indicators provide power and HDBaseT link status information.
- Provides easy setup and troubleshooting.

Low-profile, 1 inch (25 mm) high quarter rack-width enclosure

- Easy installation into confined spaces behind displays and above projectors.
- Keeps devices out-of-sight when placed in public spaces.

Included accessories

- User guide, surface mounting brackets, and external universal power supply.

Award-winning 10 year limited product warranty

- Ensures long-term product reliability and performance in residential and commercial systems.
- Specify, purchase, and install with confidence.

Specifications

Video			
HDMI Specification	HDMI 2.0, HDCP 1.4 / 2.2		
UHD/HD/SD	4096×2160 (DCI) @ 24/25/30/50/60 Hz ⁽³⁾ 3840×2160 (UHD) @ 24/25/30/50/60 Hz ⁽³⁾ 2048×1080p 1080p @ 23.98/24/25/29.97/30/50/59.94/60 Hz 1080i @ 50/59.94/60 Hz		720p @ 50/59.94/60 Hz 576p 576i 480p 480i
VESA	2560×2048 2560×1600 2048×1536 1920×1200 1680×1050 1600×1200	1600×900 1440×900 1400×1050 1366×768 1360×768 1280×1024	1280×800 1280×768 1152×768 1024×768 800×600 640×480
Color Space	YCbCr, RGB		
Chroma Subsampling	4:4:4, 4:2:2, 4:2:0		
Color Depth	8-bit, 10-bit, 12-bit		
HDR ⁽⁴⁾	4K HDR10 @ 24Hz, 4:2:0 chroma subsampling, 10-bit color		

Audio	
Formats	PCM 2Ch, LPCM 5.1, LPCM 7.1, Dolby® Digital, DTS® 5.1, Dolby Digital Plus, Dolby TrueHD, DTS-HD Master Audio™, Dolby Atmos®, DTS:X
Sample Rate	32 kHz, 44.1 kHz, 48 kHz, 88.2 kHz, 96 kHz, 176.4 kHz, 192 kHz
Bit Depth	Up to 24-bit

Control	
RS-232	Device control and configuration; supports baud rates from 2400 to 115200
IP	Device control and configuration
CEC	Device control and configuration

Connectors	
HDMI OUT	1 - Type A, 19-pin female, locking
HDBaseT IN	1 - RJ45
LAN ⁽³⁾	2 - RJ45, 10/100/1000 Mbps
RS-232	1 - 3-pin captive screw
FW	1 - Type mini-B, 5-pin female
DC 48V	1 - 3-pin DIN connector, locking

Controls and Indicators	
Indicators: POWER LINK	1 - LED, green 1 - LED, amber

Resolution / Distance	4K/UHD - Feet	4K/UHD - Meters	1080p - Feet	1080p - Meters
CAT5e/6	230	70	330	100
CAT6a/7	330	100	330	100
HDMI IN/OUT	15	5	30	10

Signal	
Maximum TMDS Clock	300 MHz
HDBaseT	10.2 Gbps
CEC	2.0

Power	
Consumption	15.2 W (when paired with TX)
External Power Supply	Input: 100 - 240 V AC 50/60 Hz Output: 48 V DC / 0.83 A
Safety	CE, FCC, RoHS, cULus, RCM, CCC

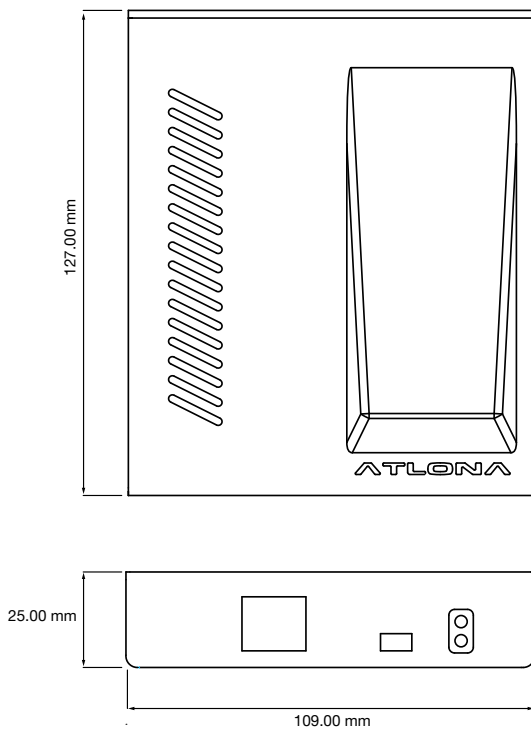
Environmental	
Operating Temperature	32 to +122 °F 0 to +50 °C
Storage Temperature	-4 to +140 °F -20 to +60 °C
Operating Humidity (RH)	+20 to +90%, non-condensing

Chassis	
Dimensions (H x W x D)	25 mm x 109 mm x 127 mm 0.98 in x 4.29 in x 5 in
with ears	27 mm x 119 mm x 127 mm 1.06 in x 4.69 in x 5.00 in
Weight	0.86 lb, 0.39 kg
Safety	CE, FCC

Accessories

Description	SKU
LinkConnect HDMI to HDMI Cable	AT-LC-H2H-1M / 2M / 3M
LinkConnect Mini DisplayPort to HDMI Cable	AT-LC-MDP2H-1M / 2M / 3M

Drawings



- (1) Ethernet pass-through is not available on the AT-UHD-EX-100CE-RX-PSE receiver when used with the UHD-PRO3 Series matrix switchers.
- (2) The AT-UHD-EX-100CE-RX-PSE does not include I/O ports for IR control signals extended over HDBaseT. If IR control over HDBaseT is required, please refer to the AT-UHD-EX-100CE-RX.
- (3) 4096×2160 @ 50/60 Hz & 3840×2160 @ 50/60 Hz is restricted to 4:2:0 8-bit chroma subsampling.