

P6-SM

**TWO-WAY 6.5-INCH
PENDANT MOUNT LOUDSPEAKER**



APPLICATIONS

DISTRIBUTED
Bars and Restaurants · Hotels · Casinos
Shopping Malls · Health and Fitness Clubs
Houses of Worship · Exhibit Halls
Corporate Meeting Rooms · Auditoriums

DESCRIPTION

Desono™ P6-SM is a low-profile, two-way passive coaxial loudspeaker intended for full range music reproduction in distributed audio applications. It delivers high intelligibility coupled with a wide coverage area, allowing system designers to use fewer speakers while maintaining acceptable levels of speech intelligibility.

The P6-SM utilizes a 6-position switchable transformer ranging from 1.875W to 60W with low-impedance bypass for constant-voltage operation, making it an excellent choice for large areas of BGM.

Designed with the installer in mind, the P6-SM also comes pre-terminated with Magic Cable, a composite cable comprised of two aircraft cables, two audio conductors jacketed separately, and two ripcords for slicing through the cable jackets.

Desono P6-SM is designed for outdoor splash applications such as patios or concourses, and an ideal choice for both indoor and outdoor distributed audio applications that demand superior speech intelligibility and full range music reproduction.

Biamp strives to improve its products on a continual basis. Specifications are therefore subject to change without notice.

Data presented on this spec sheet represents the basic performance specifications for the model. For a detailed analysis of this loudspeaker's performance, please download the GLL file and/or the CLF file from our website: biamp.com

FEATURES

- Bold, low-profile “sunshine” form factor
- Bridge-mounted soft dome tweeter mechanically isolated from the low frequency driver
- Magic Cable is pre-terminated inside the pendant to ensure no exposed connections at the loudspeaker; contains two hardened stainless steel cables and two audio conductors
- IP54 rated for outdoor splash applications such as patios or concourses
- 6-position 70V/100V tap (60W, 30W, 15W, 7.5W, 3.75W, 1.875W) with low impedance bypass
- ETL listed to comply with UL1480A; certified to CSA C22.2#62368-1 and C22.2#60950-22
- Covered by Biamp Systems’ five-year warranty

TECHNICAL SPECIFICATIONS

Operating Mode	Passive with DSP		
Operating Environment	Indoor/Outdoor (splash applications only)		
Operating Range	75 Hz to 18.5 kHz (-10dB)		
Nominal Beamwidth (H x V)	90°, conical		
Transducers	LF 1 x 6.5" (165 mm) polypropylene cone HF 1 x 1" (25 mm) soft dome		
Continuous Power Handling @ Nominal Impedance	Passive	19V	60W @ 6 ohms (240W peak)
Nominal Sensitivity @ 1m	Passive	@ 1W 87 dB	@ 2.83V 88 dB
Nominal Maximum SPL @ 1m	Passive	Peak 111dB	Continuous 105 dB
Transformer	70V: 60W, 30W, 15W, 7.5W, 3.75W, 1.875W 100V: 60W, 30W, 15W, 7.5W, 3.75W		
Required Accessories	80 Hz, 12dB/Oct high pass filter		
Recommended Amplifiers	60W - 120W @ 6 ohms (19V-27V)		

PHYSICAL

Input Connection	Pre-terminated inside housing
Controls	Wattage / low impedance selector switch
Mounting Provisions	Two pre-terminated aircraft cables (one as primary support, one as a safety cable), and Griplock cable fasteners 14 feet (4.3 m) of pre-terminated Magic Cable
Compliance	ETL listed to comply with UL 1480A, Certified to CSA C22.2#62368-1 and CSA C22.2#60950-22 Cable listed to comply with UL 13, Class 3 Indoor/Outdoor rated Suspension system and Griplock cable fasteners listed per UL1598 and UL2239, TUV and CSA Class 3426-01 and Class 3426-8.
Dimensions H x Dia	5.5" x 11.5" (139 mm x 292 mm)
Weight	11 lbs (5 kg)
Finish	Refer to the Technical Drawings (page 2)
Accessories (included)	Two Griplock cable fasteners
Magic Cable	Aircraft Cables (2): 0.0625" (1.6mm) dia. stainless steel, 7x7 stranding, safe working load per cable 480 lbs (218kg), meets US Fed Standard RR-W-410H Electrical Conductors (2): copper, AWG 18 (0.75mm ²), 19/30 stranded Outer Jacket: UV & moisture resistant PVC, WL-1 fire-rated General: O.D. 0.33" (8.5mm), minimum bend radius 2" (51mm), meets UL13 requirements for indoor/outdoor use

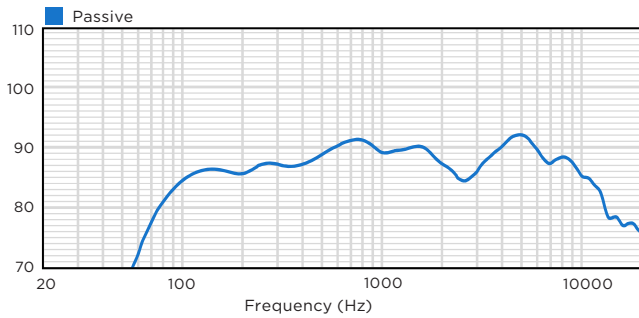
OPTIONS

Accessories	MC-SK10 inline splice kits; MC-PHK16-12PK pendant hang kits
-------------	---

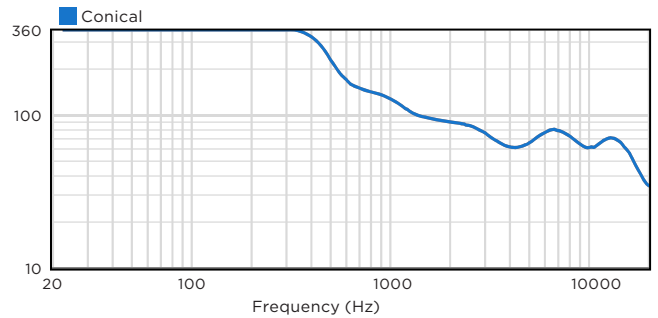
DESONO™ P6-SM

TWO-WAY 6.5-INCH
PENDANT MOUNT LOUDSPEAKER

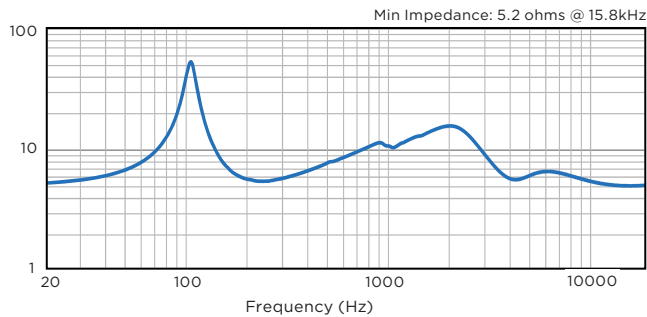
FREQUENCY RESPONSE (dB SPL)*



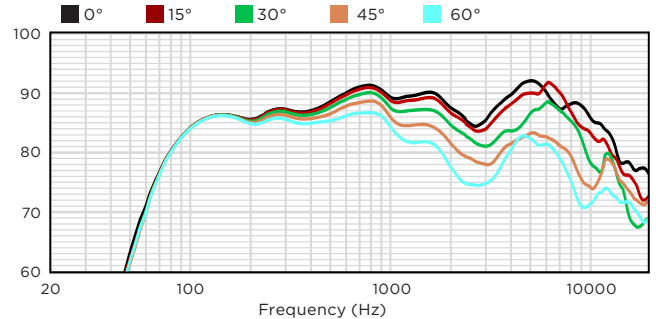
BEAMWIDTH (Degrees)



IMPEDANCE (Ohms)



HORIZONTAL OFF-AXIS RESPONSE (dB)



TECHNICAL DRAWING / DIMENSIONS / FINISH

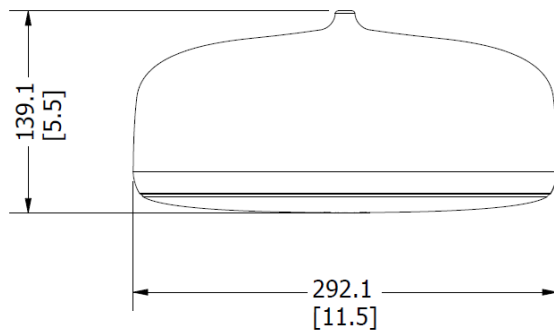
H x W (diameter)
5.5" x 11.5"
(139 mm x 292 mm)

Unit Weight
11 lbs (5 kg) (includes cable & Griplocks)

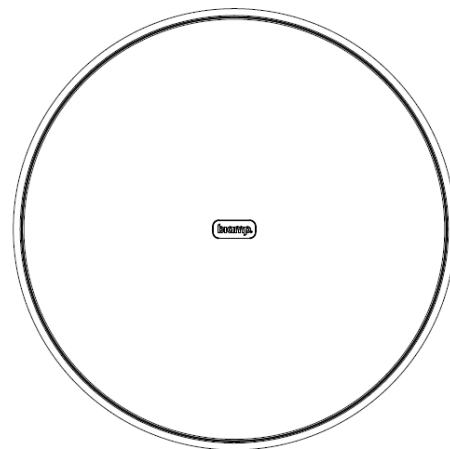
Shipping Weight (shipped in pairs)
30 lbs (13.6 kg)

Grille
Powder-coated perforated steel
Black or White

Enclosure / Finish
PC/ABS V-0 plastic, matte finish
Black or White



Side



Bottom